

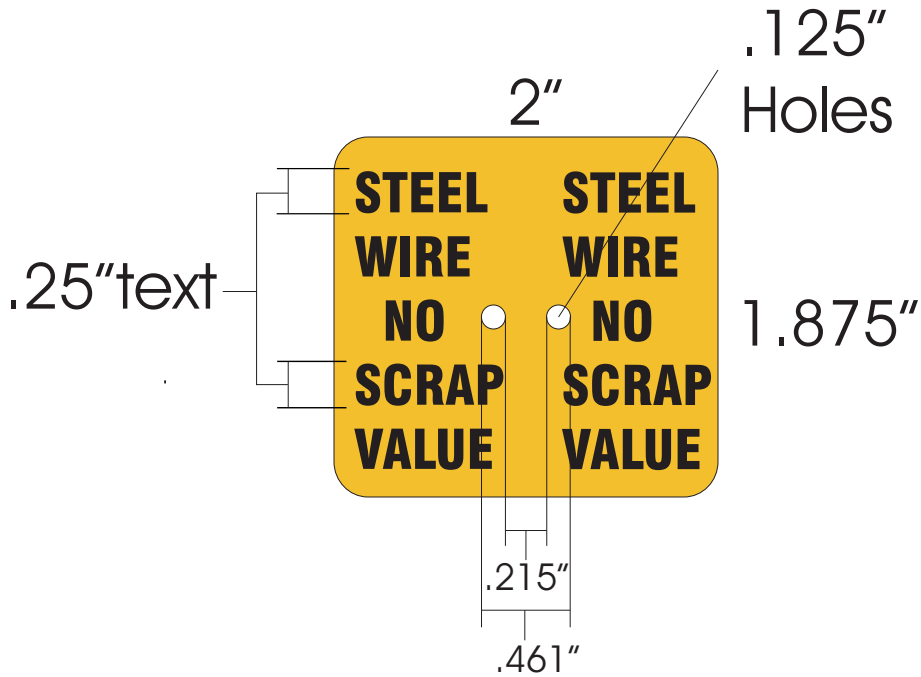


109 Independence Way
 Coatesville, PA 19320
 P: 610-857-2655
 F: 610-857-2986
 graphics@uticom.net
 www.uticom.net

Part # U1820SW2
 U2400 Material

© Uticom Systems Inc. 2014
 Proprietary and confidential information contained in this drawing is property of Uticom Systems Inc. and is only intended to be viewed by the end user or authorized distributor. Any reproduction in part or as a whole is strictly prohibited unless approved in writing by Uticom Systems, Inc.

Please review this drawing for accuracy. Approved by: _____ Date: _____



All graphics print black on reflective yellow.

U2400 Material: .030" UV Grade Polycarbonate, surface laminated with 3M™ Engineer Grade reflective sheeting, surface printed using automotive grade solvent based ink, utilizing a 158 mesh silk screen.

Durability: Minimum lifetime exterior durability of 20-25 years. Defective materials will be replaced at no charge.